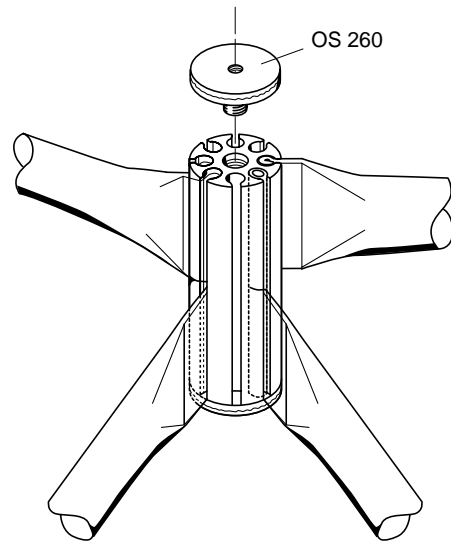
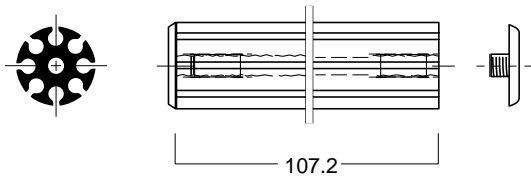


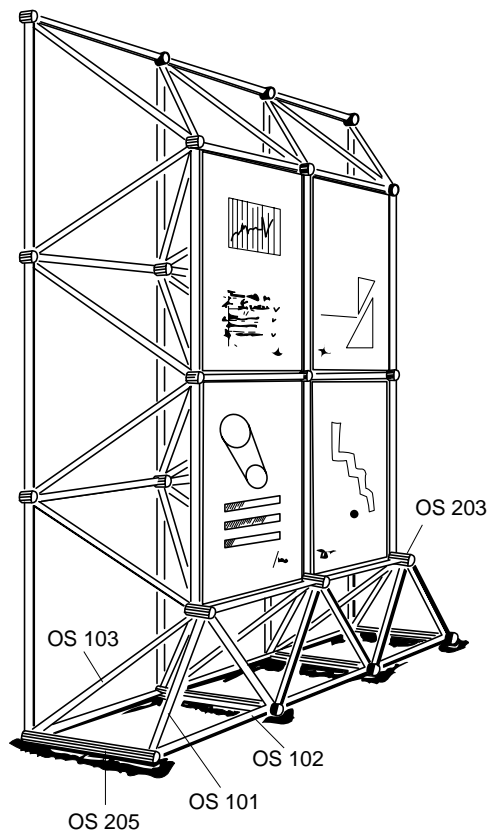


Struktur

Double pressure connector / OS 203



Connector extrusion / OS 205



End cap

