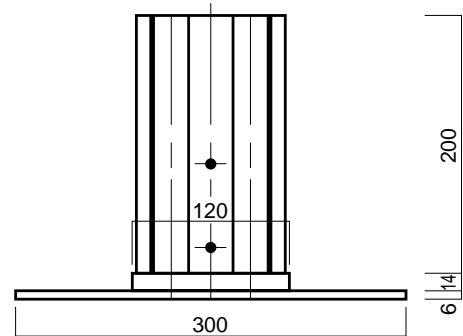
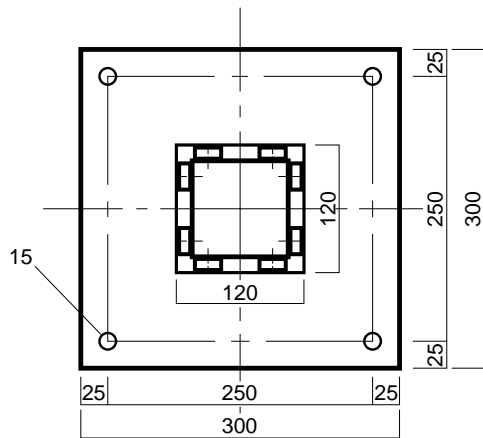
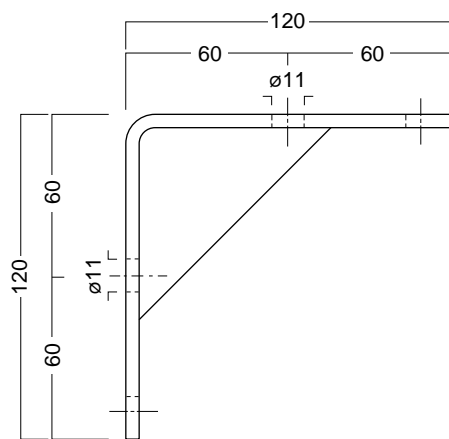




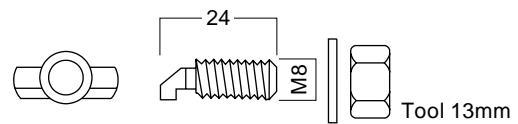
Base plate



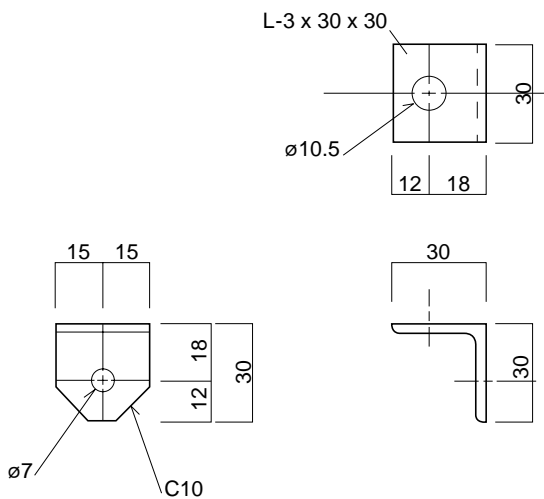
Beam reinforcement angle adjuster



Hammerhead Screw



Beam reinforcement angle adjuster



Beam reinforcement angle adjuster

