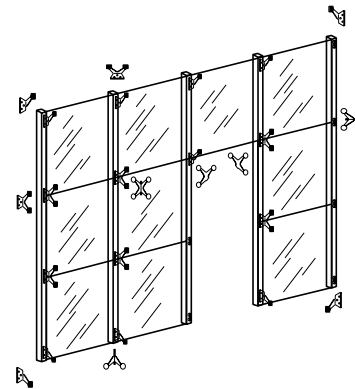
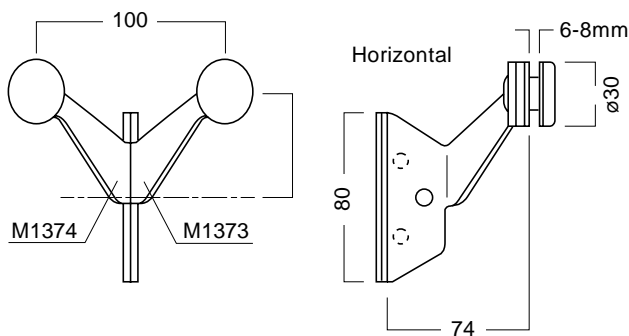


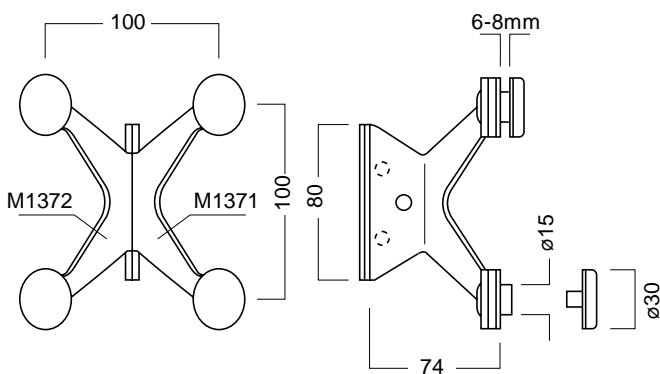


Glass panel retainer, 2parts

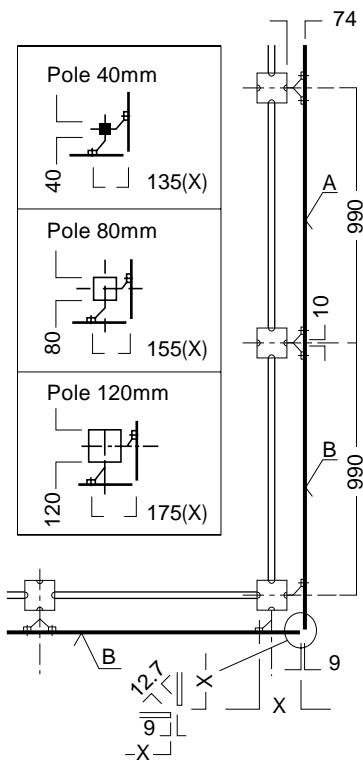


Steel galvanized
For system groove 4.3mm

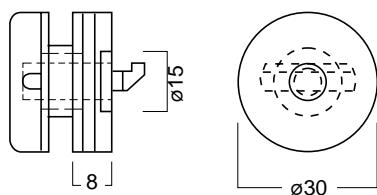
Glass panel retainer, 4parts



Steel galvanized
For system groove 4.3mm



Panel retainer



Steel galvanized
"Knob stainless steel , with rubber"
For glass thickness from 5 to 6 mm or panels with Max 10mm (thickness)

