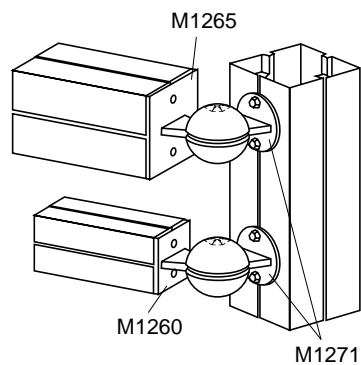
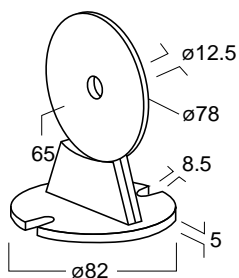
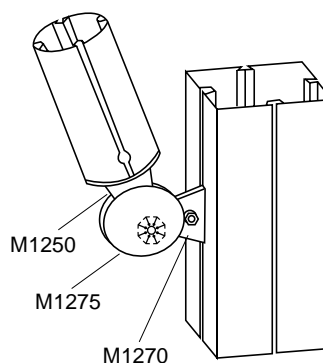
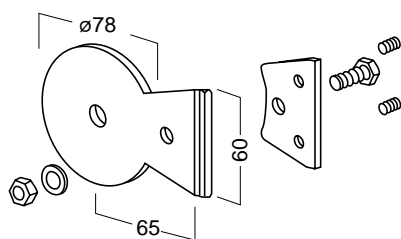




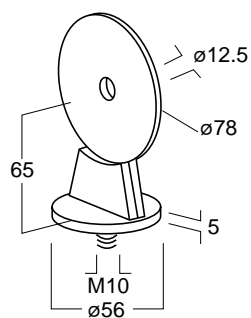
Hinged flange plate 90°



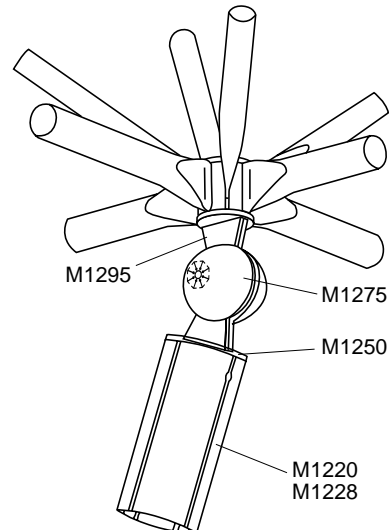
Hinged flange plate



Hinged end plate

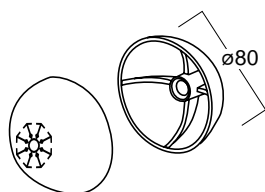


Struktur



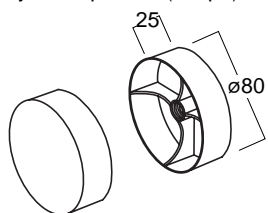
Hinged covers

Hemisphere pattern (shape)



Black plastic
80mm diameter, Inside screw M12

Cylinder pattern (shape)



Lightgray plastic
80mm diameter, Inside screw M12

