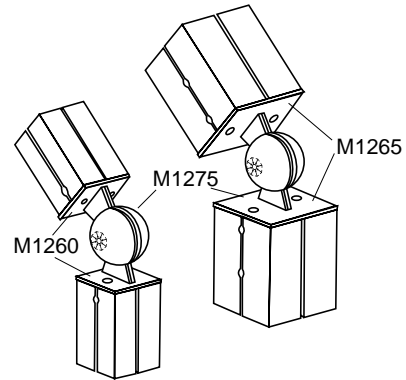
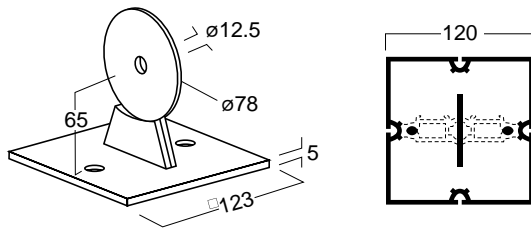
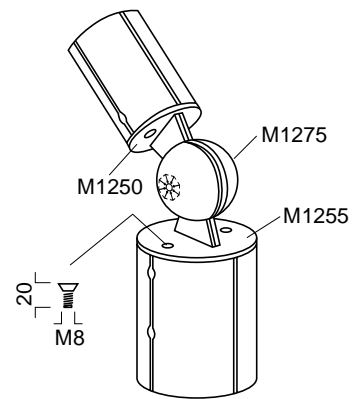
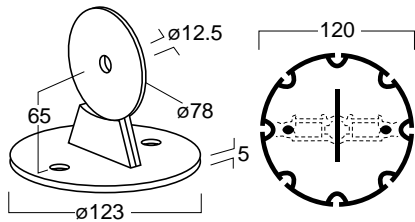




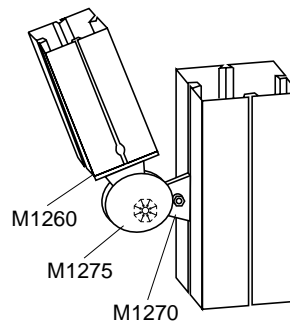
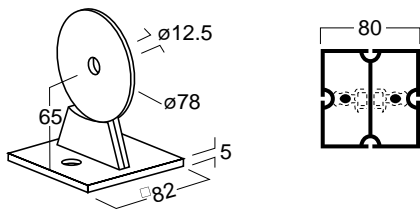
Hinged end plate



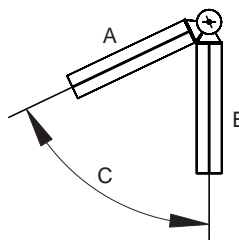
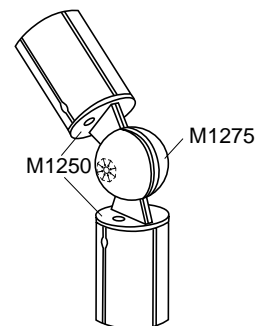
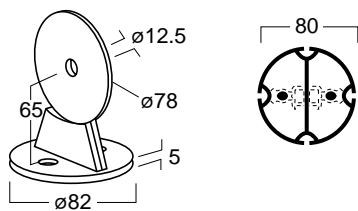
Hinged end plate



Hinged end plate



Hinged end plate



Degree of the angle of hinge joints (for common use for both of round and square beam/upright)		
A	B	C (minimum angle)
120	120	87°
80	120	70°
80	80	65°
40	80	56°
40	40	56°