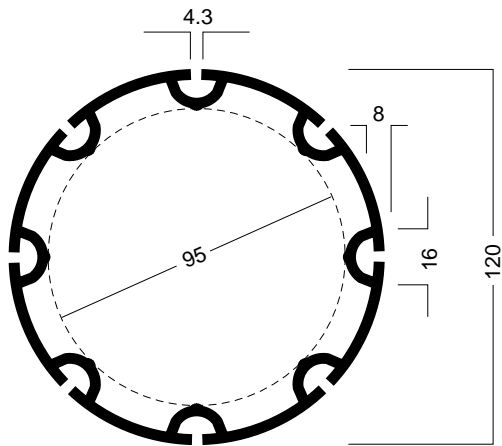
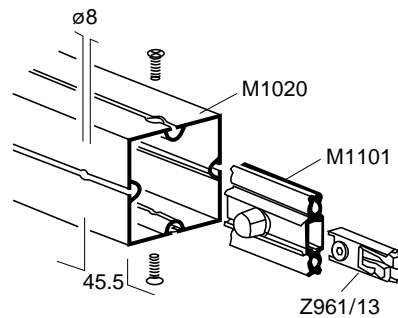
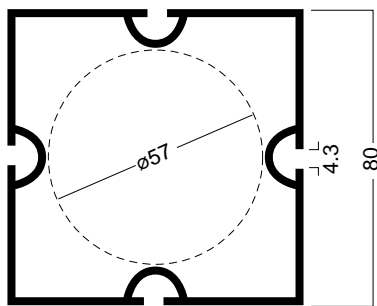




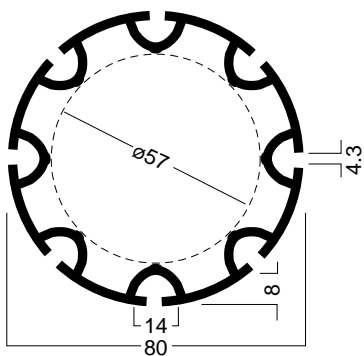
Upright extrusion



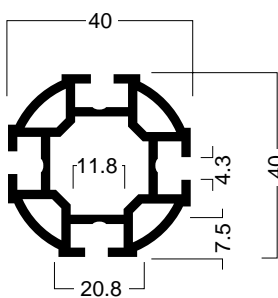
Square extrusion 80 mm



Upright extrusion



Upright extrusion



Square extrusion 40 mm

